
	DATASHEET FEUILLE DE SPECIFICATIONS	Page : 1 / 3
	P/N: 1SWT16004-3.0070 Designation: 150W, 400-4000MHz SPDT Switch, 10-14Vdc	

Electrical features <i>Caractéristiques électriques</i>		All specifications are given @ +25°C baseplate, unless specified other	
Parameters <i>Paramètres</i>	Measuring conditions <i>Conditions de mesures</i>	AA-MCS Specifications <i>Spécifications AA-MCS</i>	Units <i>Unités</i>
Bandwidth <i>Bande de fréquence</i>		400 min. 4000 max.	MHz
Input power <i>Puissance d'entrée</i>	1.5:1 Source & Load VSWR CW (cold switch) 10µs Pulse, 1% Duty cycle (cold switch)	52 max. 57 max.	dBm
Insertion loss <i>Pertes d'insertion</i>	Case @ +25°C	0.4 typ. 1.0 max.	dB
Return loss <i>Adaptation</i>		15 min. 20 typ.	dB
Harmonics <i>Distorsion harmonique</i>	Any harmonics for 100W CW pure sine	-65 typ. -50 max.	dBc
OIP3 <i>OIP3</i>	2 carriers 10MHz spacing 40 dBm each	60 min. 65 typ.	dBm
Isolation <i>Isolation</i>		30 min. 40 typ.	dB
Switch time <i>Temps de commutation</i>	10%-90% (includes TTL, rise/fall time and ON/OFF time)	5 typ. 10 max.	µs
PRF frequency <i>Fréquence PRF</i>	Pulse @ « Ctrl A »	10 typ. 50 max.	kHz
Supply voltage <i>Tension d'alimentation</i>	"+VCC"	+10 min. +12 typ. +14 max.	Vdc
Power consumption <i>Consommation</i>	« +VCC » =+12V: Static PRF 50kHz	400 typ. 550 max.	mA

Ed.	Written by	Date	Observation	Approved by
0	A. Billy	06/04/2017	Creation	

	DATASHEET FEUILLE DE SPECIFICATIONS	Page : 2 / 3
	P/N: 1SWT16004-3.0070 Designation: 150W, 400-4000MHz SPDT Switch, 10-14Vdc	

Command & control bits <i>Contrôles et commandes</i>		
Parameters <i>Paramètres</i>	Conditions <i>Conditions</i>	AA-MCS Specifications <i>Spécifications AA-MCS</i>
Switching control <i>Contrôle de commutation</i>	1 bit TTL "Ctrl A" ("Ctrl B" is not present)	Ctrl A = 0Vdc or Not Connected leads to RFCOM to RF2 Ctrl A = +5Vdc leads to RFCOM to RF1 PRF Max. = 50kHz

Environmental conditions <i>Conditions environnementales</i>			
Parameters <i>Paramètres</i>	Conditions <i>Conditions</i>	AA-MCS specifications <i>Spécifications AA-MCS</i>	Units <i>Unités</i>
Operating temperature range <i>Température opérationnelle</i>	Case temperature	-10 min. +85 max.	°C
Storage temperature range <i>Température de stockage</i>		-40 min. +105 max.	°C

Mechanical features <i>Caractéristiques mécaniques</i>			
Parameters <i>Paramètres</i>	Measuring conditions <i>Conditions de mesure</i>	AA-MCS specifications <i>Spécifications AA-MCS</i>	Units <i>Unités</i>
Length x width x height <i>Longueur x largeur x Hauteur</i>	L x W x H ISO 2768-mH	80 x 80 x 28.6 (see drawing below)	mm
Cooling <i>Dissipation thermique</i>		Conduction cooled	-
Connectors <i>Connectique</i>	RF Input/output "+VCC", GND Control bit "Ctrl A"	SMA female Feedthru Feedthru	-
Weight <i>Masse</i>		280 typ.	g

Ed.	Written by	Date	Observation	Approved by
0	A. Billy	06/04/2017	Creation	

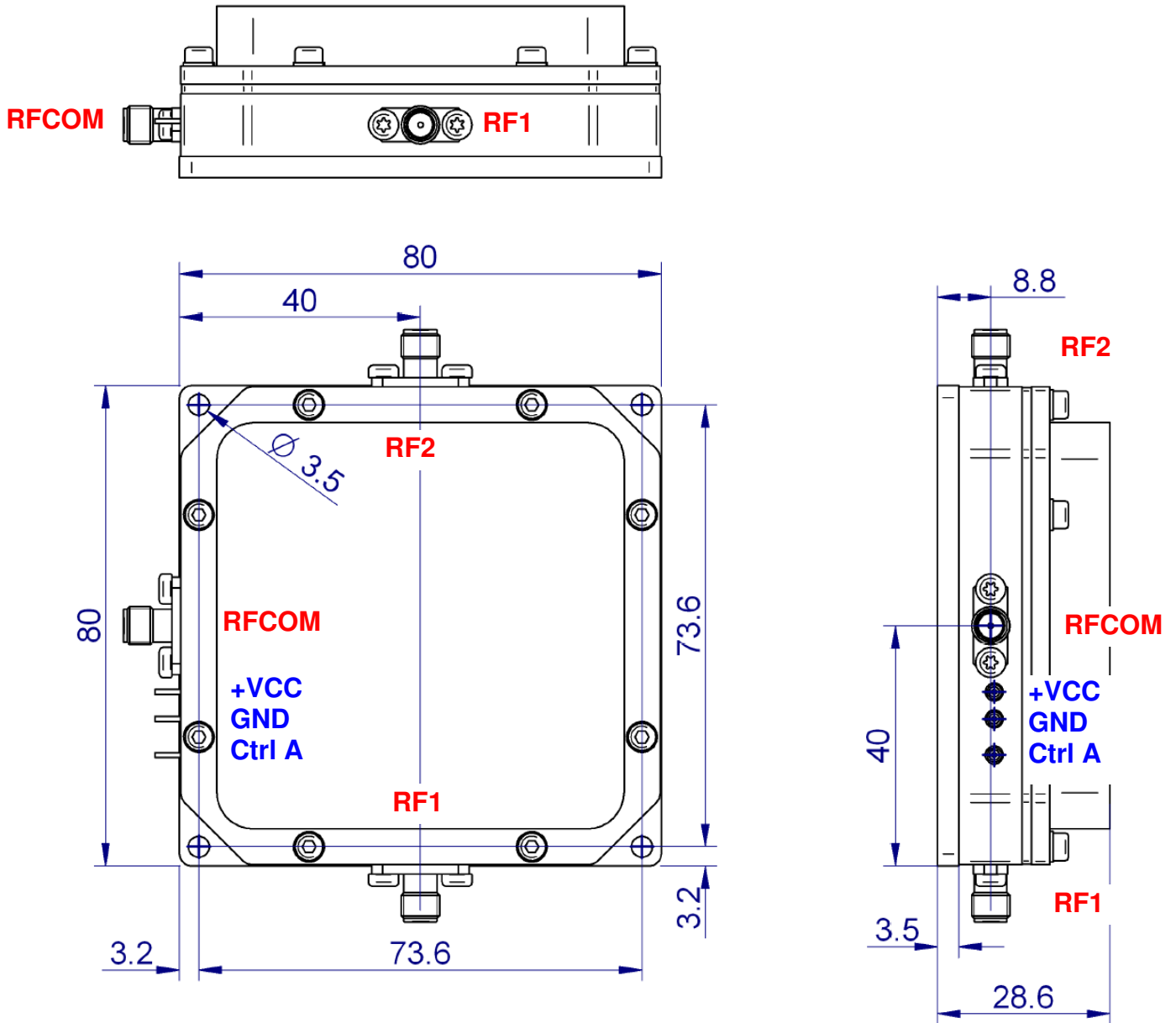


DATASHEET
FEUILLE DE SPECIFICATIONS

P/N: 1SWT16004-3.0070

Designation: 150W, 400-4000MHz SPDT Switch, 10-14Vdc

Mechanical drawing:



Ed.	Written by	Date	Observation	Approved by
0	A. Billy	06/04/2017	Creation	